

## A Single Torch for Any Plasma Systems from 20 to 120 Amp.



- Higher performances
- Cleaner cut
- Faster speed
- Consumables longer life

### FEATURES AND BENEFITS

- A single patent pending plasma cutting torch, with and without High Frequency, to retrofit countless power supplies from 20 to 120 Amps , using the same consumables.
- Reduced inventory.
- A patent pending pneumatic ignition system, with a non-move electrode and tip, allows a perfect spark starting and great reliability.
- More efficient cooling of the torch head, resulting in consumables longer life and better performances.
- Patented electrode locking system permitting quick, precise changes of consumable parts with no tools required.
- Consumable parts patent pending.
- The torch light and compact design results in maximum arc visibility and excellent operator control for precision plasma cutting.
- Compact, lightweight and long life patented torch head.

Ci riserviamo di apportare le modifiche opportune senza l'obbligo di tempestivo preavviso - We reserve the right to make changes without prior notice



[www.icebsaldatrici.com](http://www.icebsaldatrici.com)

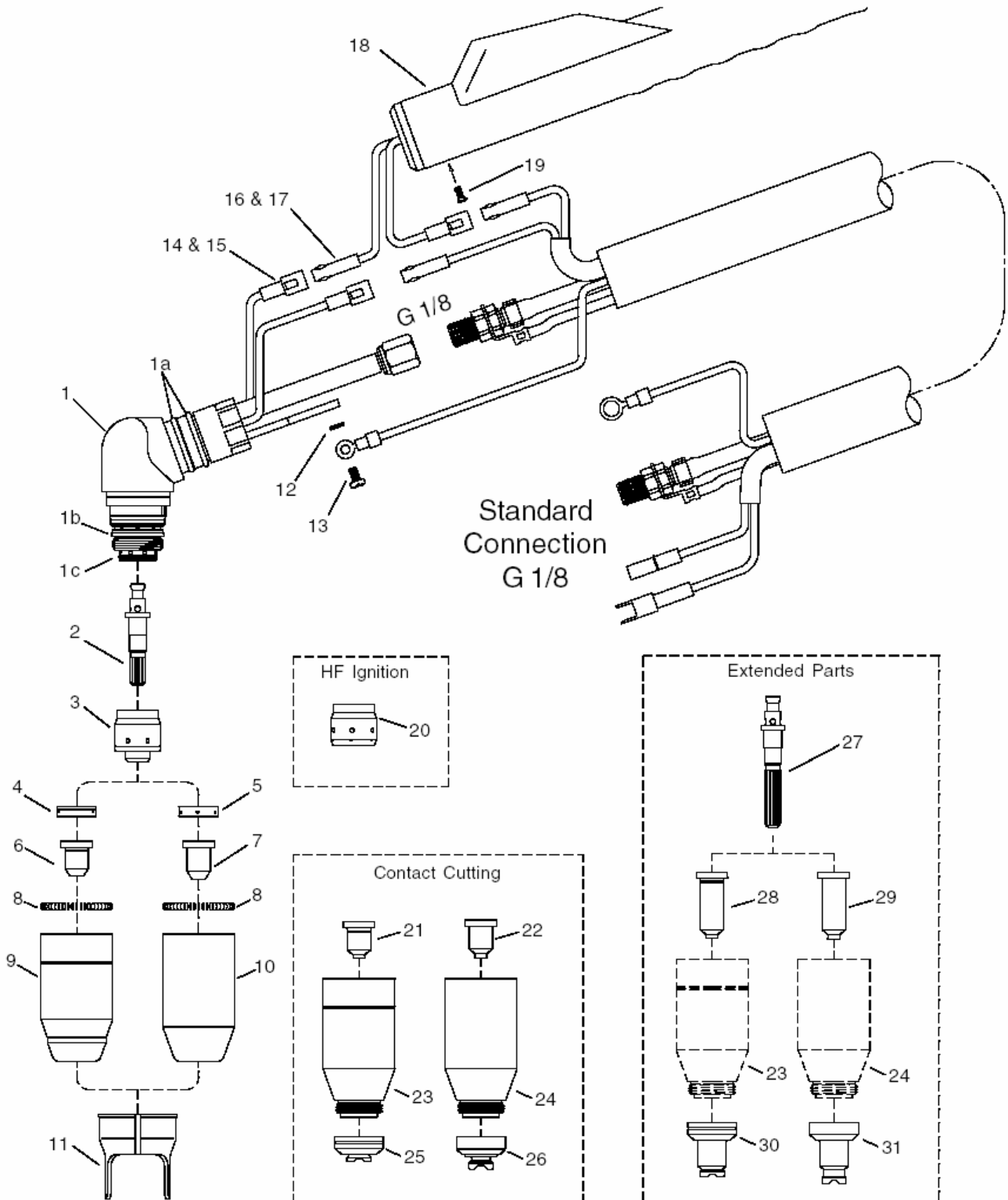
E-mail: [iceb@icebsaldatrici.com](mailto:iceb@icebsaldatrici.com)

ICEB SALDATRICI SRL - VIA ROSSINI 20-22 - 40050 VILLANOVA (BO) - ITALY

Tel +39 051 781727 - Fax +39 051 781537

Rivenditore Autorizzato

**Replacement Hand Torch Parts EL-60**



Ci riserviamo di apportare le modifiche opportune senza l'obbligo di tempestivo preavviso - We reserve the right to make changes without prior notice



[www.icebsaldatrici.com](http://www.icebsaldatrici.com)

E-mail: [iceb@icebsaldatrici.com](mailto:iceb@icebsaldatrici.com)

ICEB SALDATRICI SRL - VIA ROSSINI 20-22 - 40050 VILLANOVA (BO) - ITALY

Tel +39 051 781727 - Fax +39 051 781537

Rivenditore Autorizzato

### Replacement Hand Torch Parts **EL-60**

Item #	Qty	Description
1	1	<b>EL-60</b> 70° Torch Head
1a	2	O-Ring
1b	1	O-Ring
1c	1	O-Ring
2	1	Electrode, Air/N2
3	1	Start Cartridge, 20/120 Amp.
4	1	Gas Distributor, 20/60 Amp.
5	1	Gas Distributor, 60/120 Amp.
6	1	Tip, Cutting, Air/N2, 20/30 Amp
	1	Tip, Cutting, Air/N2, 40 Amp
	1	Tip, Cutting, Air/N2, 50/60 Amp
7	1	Tip, Cutting, Air/N2, 60 Amp
	1	Tip, Cutting, Air/N2, 70 Amp
	1	Tip, Cutting, Air/N2, 80 Amp
	1	Tip, Cutting, Air/N2, 90/100 Amp
	1	Tip, Cutting, Air/N2, 120 Amp
8	1	Coil Spring
9	1	Shield Cup, Standard 20/60 Amp. (including Item # 8)
10	1	Shield Cup, Standard 60/120 Amp. (including Item # 8)
11	1	Double Pointed Spacer
12	1	Panhead Screw M3 x 6mm UNI7687
13	1	Internal Star Washer A3 UNI8842
14	3	Pin Housing
15	3	Pin
16	3	Socket Housing
17	3	Socket
18	1	Handle with Micro-switch
19	1	Panhead Screw M3 x 8mm UNI7689

NOTE: Item can be purchased locally

### Accessories

Item #	Qty	Description
20	1	Insulator HF, 20/120 Amp.
21	1	Contact Tip, Air/N2, 20/30 Amp
	1	Contact Tip, Air/N2, 40 Amp
	1	Contact Tip, Air/N2, 50/60 Amp
22	1	Contact Tip, Air/N2, 60 Amp
	1	Contact Tip, Air/N2, 70 Amp
	1	Contact Tip, Air/N2, 80 Amp
	1	Contact Tip, Air/N2, 90/100 Amp
	1	Contact Tip, Air/N2, 120 Amp
23	1	Shield Cup Body, 20/60 Amp. (including Item # 8)
24	1	Shield Cup Body, 60/120 Amp. (including Item # 8)
25	1	Shield Cap, Hand, 20/60 Amp.
26	1	Shield Cap, Hand, 60/120 Amp.
-----		
27	1	Extended Electrode, Air/N2
28	1	Extended Contact Tip, Air/N2, 20/30 Amp
	1	Extended Contact Tip, Air/N2, 40 Amp
	1	Extended Contact Tip, Air/N2, 50/60 Amp
29	1	Extended Contact Tip, Air/N2, 60 Amp
	1	Extended Contact Tip, Air/N2, 70 Amp
	1	Extended Contact Tip, Air/N2, 80 Amp
	1	Extended Contact Tip, Air/N2, 90/100 Amp
	1	Extended Contact Tip, Air/N2, 120 Amp
30	1	Extended Shield Cap, Hand, 20/60 Amp.
31	1	Extended Shield Cap, Hand, 60/120 Amp.
N/S	1	Circle Cutting Attachment

Ci riserviamo di apportare le modifiche opportune senza l'obbligo di tempestivo preavviso - We reserve the right to make changes without prior notice



[www.icebsaldatrici.com](http://www.icebsaldatrici.com)

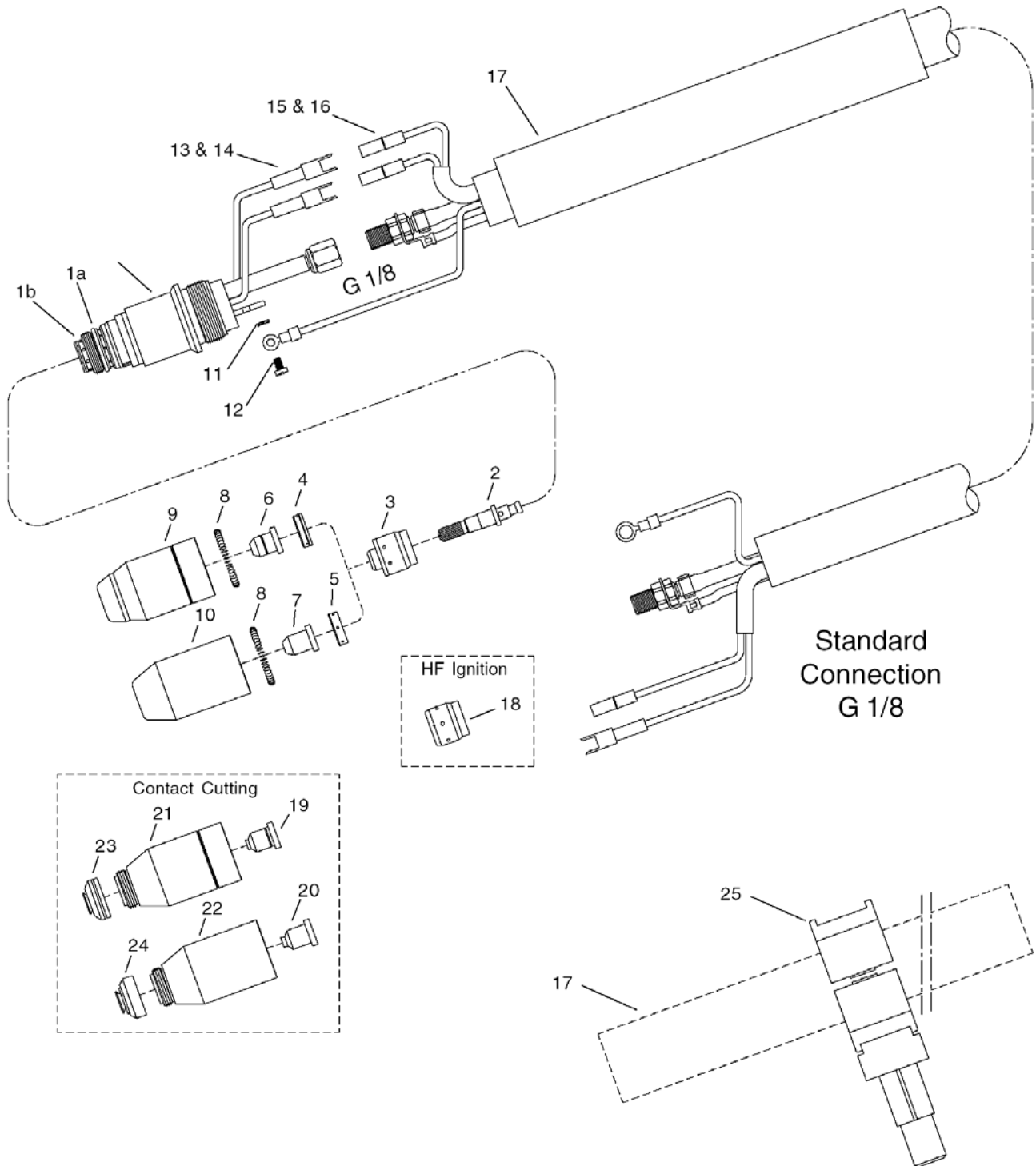
E-mail: [iceb@icebsaldatrici.com](mailto:iceb@icebsaldatrici.com)

ICEB SALDATRICI SRL - VIA ROSSINI 20-22 - 40050 VILLANOVA (BO) - ITALY

Tel +39 051 781727 - Fax +39 051 781537

Rivenditore Autorizzato

**Replacement Machine Torch Parts EL-60**



Ci riserviamo di apportare le modifiche opportune senza l'obbligo di tempestivo preavviso - We reserve the right to make changes without prior notice



[www.icebsaldatrici.com](http://www.icebsaldatrici.com)

E-mail: [iceb@icebsaldatrici.com](mailto:iceb@icebsaldatrici.com)

ICEB SALDATRICI SRL - VIA ROSSINI 20-22 - 40050 VILLANOVA (BO) - ITALY

Tel +39 051 781727 - Fax +39 051 781537

Rivenditore Autorizzato

### Replacement Machine Torch Parts **EL-60**

Item #	Qty	Description
1	1	<b>EL-60</b> 180° Torch Head
1a	1	O-Ring
1b	1	O-Ring
2	1	Electrode, Air/N2
3	1	Start Cartridge, 20/120 Amp.
4	1	Gas Distributor, 20/60 Amp.
5	1	Gas Distributor, 60/120 Amp.
6	1	Tip, Cutting, Air/N2, 20/30 Amp
	1	Tip, Cutting, Air/N2, 40 Amp
	1	Tip, Cutting, Air/N2, 50/60 Amp
7	1	Tip, Cutting, Air/N2, 60 Amp
	1	Tip, Cutting, Air/N2, 70 Amp
	1	Tip, Cutting, Air/N2, 80 Amp
	1	Tip, Cutting, Air/N2, 90/100 Amp
	1	Tip, Cutting, Air/N2, 120 Amp
8	1	Coil Spring
9	1	Shield Cup, Standard 20/60 Amp. (including Item # 8)
10	1	Shield Cup, Standard 60/120 Amp. (including Item # 8)
11	1	Panhead Screw M3 x 6mm UNI7687
12	1	Internal Star Washer A3 UNI8842
13	2	Pin Housing
14	2	Pin
15	2	Socket Housing
16	2	Socket
17	1	Fiberglass Positioning Tube

NOTE: Item can be purchased locally

### Torches and Leads

Item #	Qty	Description
		<b>EL-60</b> 180° Machine Torch, 6m (20 ft) Leads
		<b>EL-60</b> 180° Machine Torch, 12m (40 ft) Leads
		<b>EL-60</b> 180° Lead Assembly, 6m (20 ft) Length
		<b>EL-60</b> 180° Lead Assembly, 12m (40 ft) Length

### Accessories

Item #	Qty	Description
18	1	Insulator HF, 20/120 Amp.
19	1	Contact Tip, Air/N2, 20/30 Amp
	1	Contact Tip, Air/N2, 40 Amp
	1	Contact Tip, Air/N2, 50/60 Amp
20	1	Contact Tip, Air/N2, 60 Amp
	1	Contact Tip, Air/N2, 70 Amp
	1	Contact Tip, Air/N2, 80 Amp
	1	Contact Tip, Air/N2, 90/100 Amp
	1	Contact Tip, Air/N2, 120 Amp
21	1	Shield Cup Body, 20/60 Amp. (including Item # 8)
22	1	Shield Cup Body, 60/120 Amp. (including Item # 8)
23	1	Shield Cap, Machine, 20/60 Amp.
24	1	Shield Cap, Machine, 60/120 Amp.
25	1	Mounting Block

Ci riserviamo di apportare le modifiche opportune senza l'obbligo di tempestivo preavviso - We reserve the right to make changes without prior notice



[www.icebsaldatrici.com](http://www.icebsaldatrici.com)

E-mail: [iceb@icebsaldatrici.com](mailto:iceb@icebsaldatrici.com)

ICEB SALDATRICI SRL - VIA ROSSINI 20-22 - 40050 VILLANOVA (BO) - ITALY

Tel +39 051 781727 - Fax +39 051 781537

Rivenditore Autorizzato